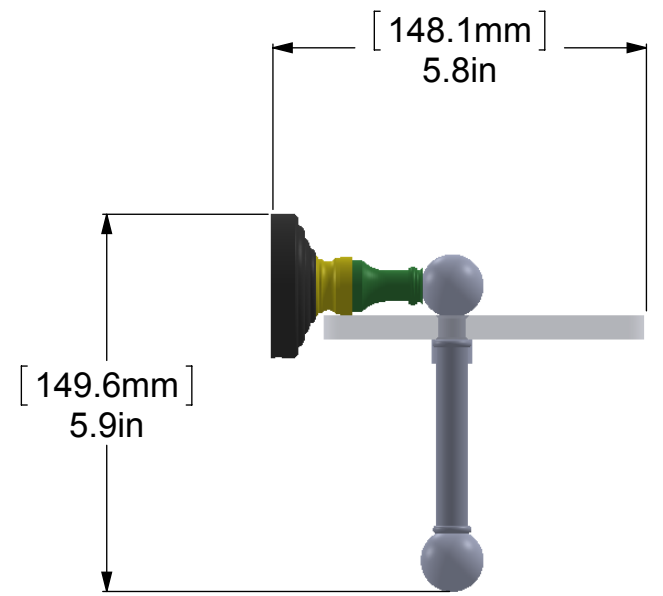
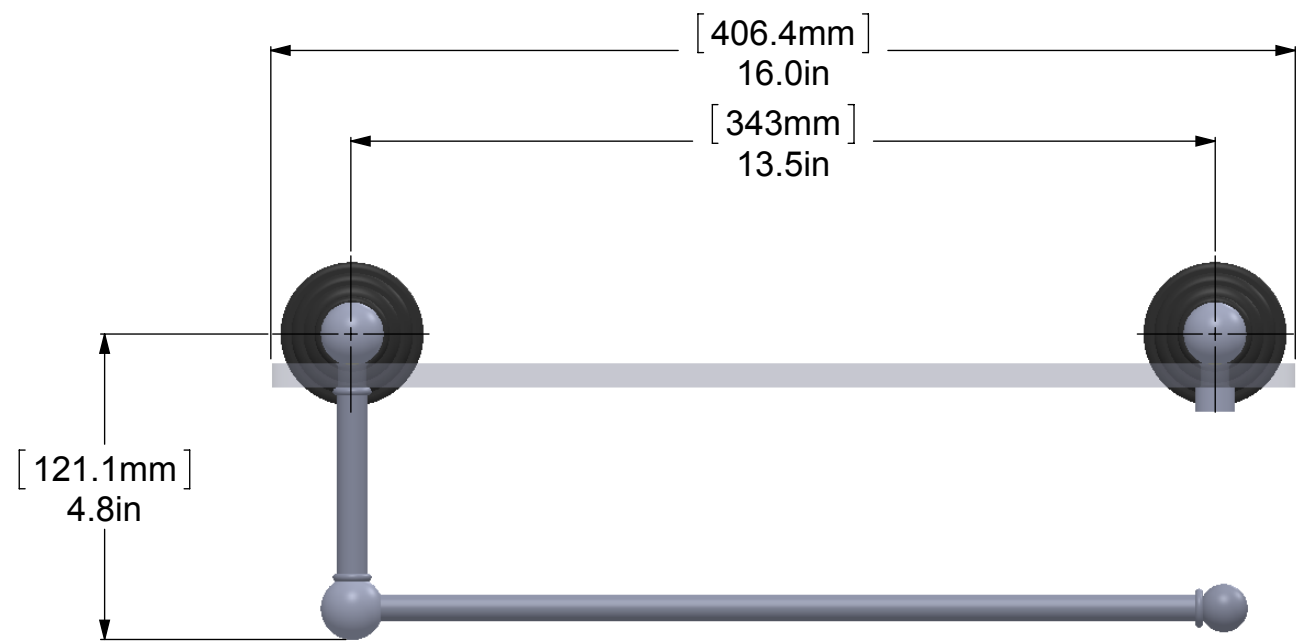
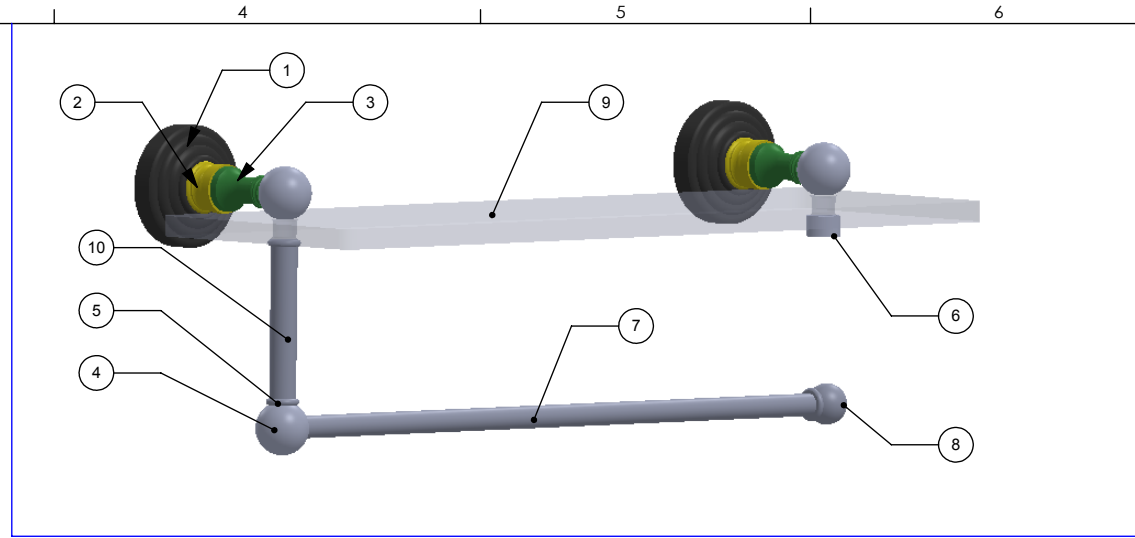
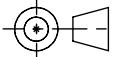



ITEM NO.	P/N	DESCRIPTION	QTY.
1	BPWV	BACKPLATE	2
2	NKSL-58	NECK BASE	2
3	NKSL-1.25	NECK	3
4	BL3T-1	CONNECTING BALL	3
5	CRRD-12	CHECK RING	4
6	CARD-58	CAP	1
7	TU12-13.5	LOWER TUBE	1
8	BL1T-34	BALL	1
9	GLRT-16	GLASS	1
10	TU12-3	VERTICAL TUBE	1



COPYRIGHT © Allied Brass 2015  THIRD ANGLE PROJECTION	DRAWN	11-18-15	I.M	MATERIAL:	FINISH	TBD		
	CHECKED	11-18-15	P.D	DESCRIPTION:  <b>WP-1PT-16</b>	QUANTITY	TBD		
	APPROVED	11-18-15	R.A		DRAWING No. <b>WP-1PT-16</b>		REV	
					SCALE	1:3	SHEET: 01	A4